

TECHNICAL SPECIFICATIONS

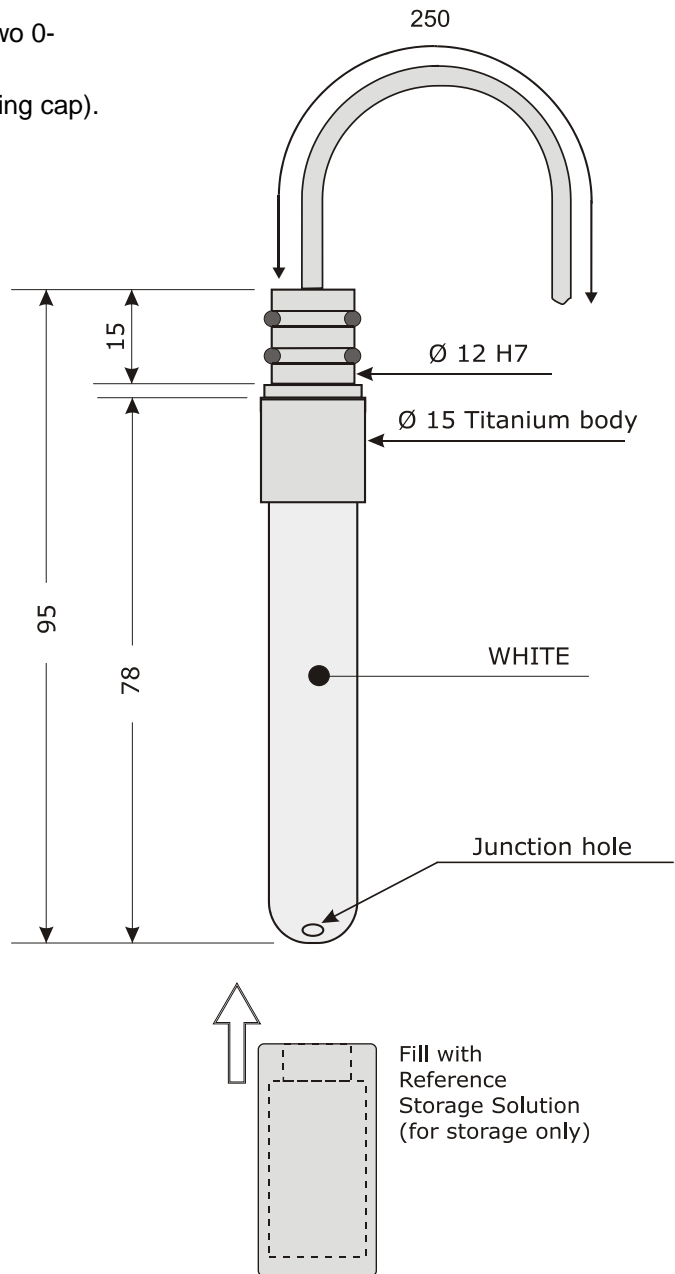
Reference electrode for pH & oxidation-reduction potential measurements; it uses a special ceramic less junction design.

Technical specifications:

Type:	solid gel reference electrode.
Inner half cell:	Ag/AgCl.
Operating pressure:	700 bar.
Maximum pressure:	700 bar.
Output connections:	one 1 mm wire.
Mounting:	through 12 mm hole with two O-ring seals (Parker 2-12).
Weight:	35 gr. (including the hydrating cap).
Body:	titanium.

Note

Complete with hydrating cap half-filled with Idronaut Reference Sensor Storage Solution.



NOTE: Dimensions are in millimeters.