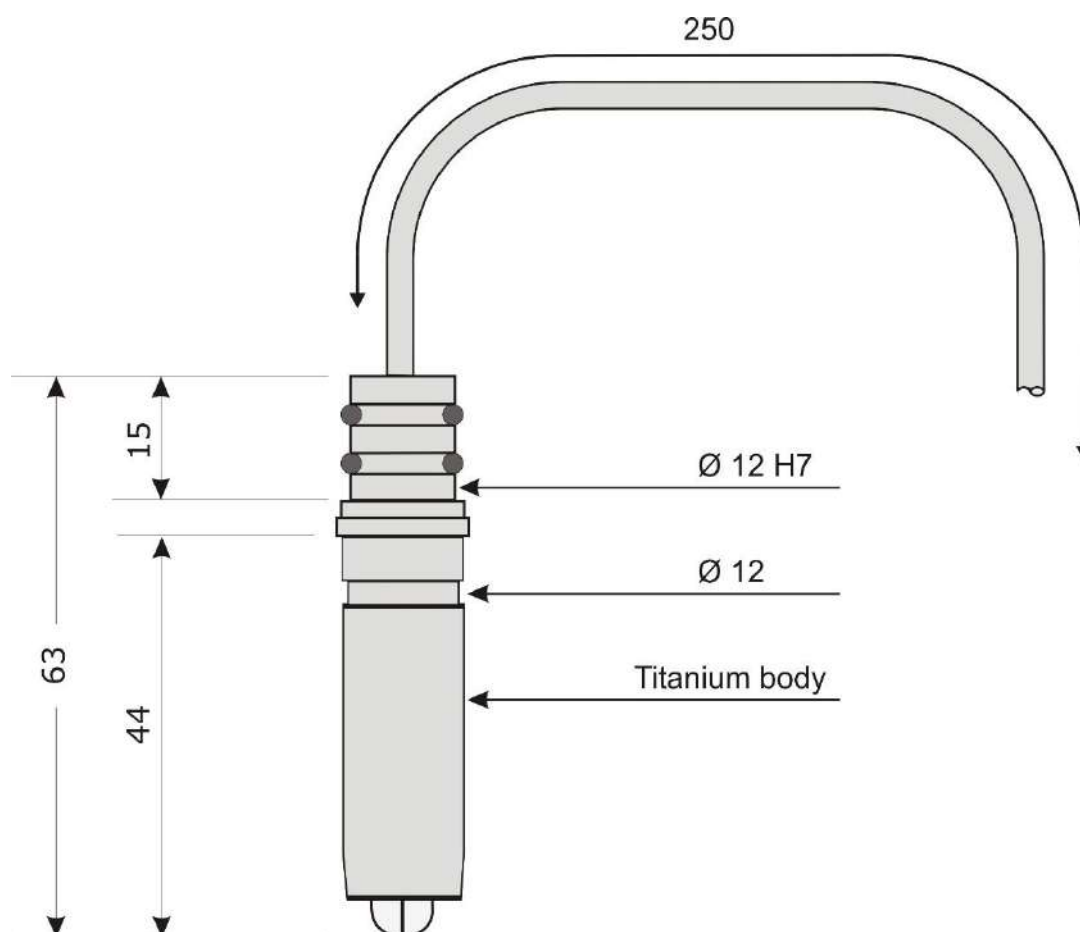


TECHNICAL SPECIFICATIONS

Platinum electrode for oxidation-reduction potential measurements (Redox).

Technical specifications :

Type:	platinum electrode, 0.3 mm diameter.
Operating pressure:	700 bar.
Maximum pressure:	700 bar.
Output connections:	one 1mm wire.
Mounting:	through 12 mm hole with two O-ring seals (Parker 2-12).
Weight:	30 gr.
Body:	titanium.



NOTE: Dimensions are in millimeters.